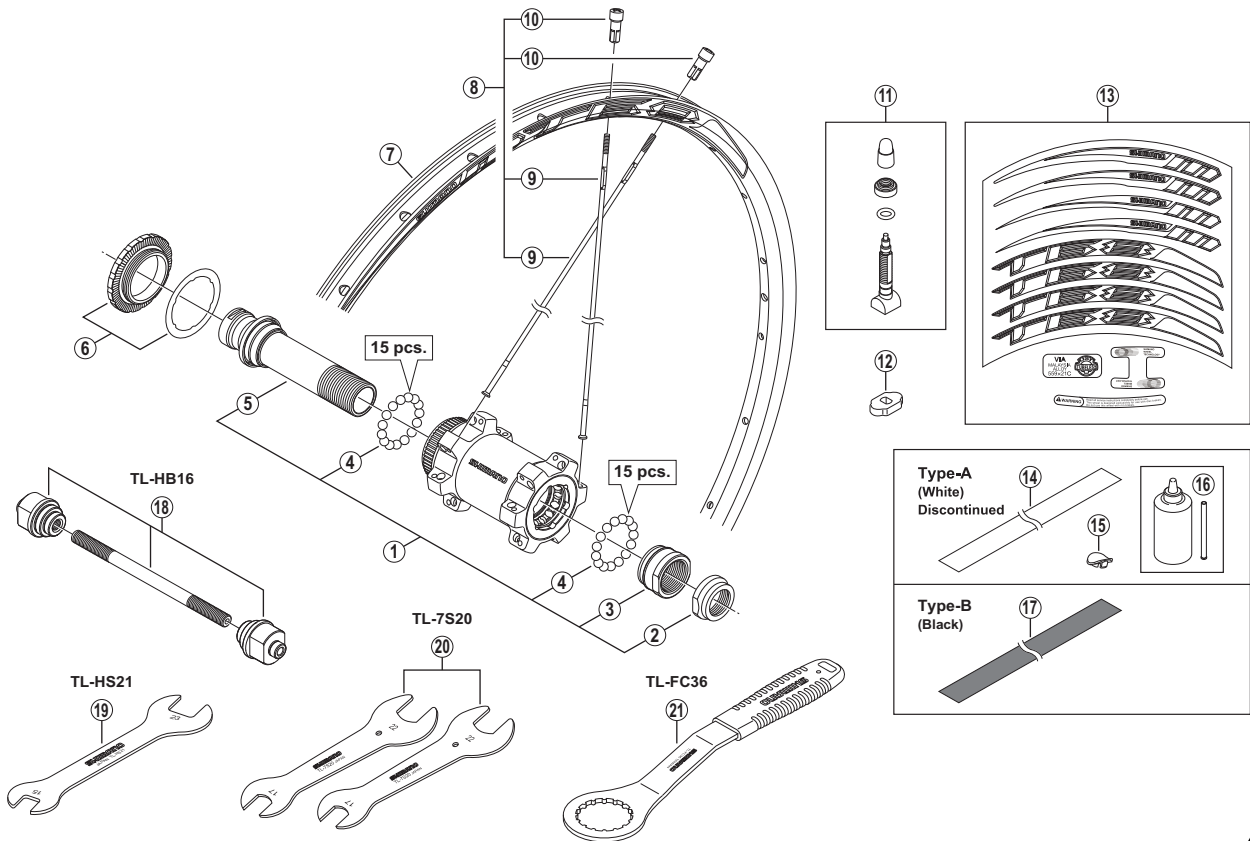


Front Wheel

WH-MT68-F15 Black Version

WH-MT68-F15-W White Version



• Over Lock Nut Dimension: 100 mm (3-15/16")

WH-MT66-F15

ITEM NO.	SHIMANO CODE NO.	DESCRIPTION	INTERCHANGEABILITY
1	Y2UK98010	Complete Hub Axle	
2	Y2UC09000	Lock Nut (M19)	
3	Y2UK06000	Right Hand Cone (M19)	A
4	Y25U98020	Steel Ball (3/16") 36 pcs.	A
5	Y2UK98020	Hub Axle 96 mm	A
6	Y26L98030	Lock Ring & Washer	A
7	EWHRIM3EDLC4	Rim for WH-MT68 {24H / Black / Rim Sticker: Lime green}	
	EWHRIM3EDWC4	Rim for WH-MT68-W {24H / White / Rim Sticker: Lime green}	
	EWHRIM3EDLCM	Rim for WH-MT68 {24H / Black / Rim Sticker: Monotone}	
	EWHRIM3EDWCM	Rim for WH-MT68-W {24H / White / Rim Sticker: Monotone}	
8	EWHSPOKE3CC1	Spoke Unit {Spoke (269 mm x 24 pcs.) / Nipple (24 pcs.)}	
9	Y4RJS1000	Spoke (269 mm)	
10	Y012Z4075	Nipple	A
11	Y4RJ98020	Valve Unit	A
12	Y4RJ10000	Valve Tool	A
13	Y4RJ98030	Rim Sticker Unit (Lime green) for WH-MT68	
	Y4RJ98040	Rim Sticker Unit (Lime green) for WH-MT68-W	
	Y4RJ98050	Rim Sticker Unit (Monotone) for WH-MT68	
	Y4RJ98060	Rim Sticker Unit (Monotone) for WH-MT68-W	
14	Y4RJ09010	Covering Tape (Type-A / White) Discontinued	
15	Y4RJ98010	Rim Hole Cap (30 pcs.) Discontinued	A
16	Y13098540	SM-WHSL Wheel Sealant (Discontinued)	A
* 17	Y4RJ00020	Tubeless Tape (Type-B / Black)	
18	Y20W98020	TL-HB16 Hub Setting Tool	A
19	Y3C228000	TL-HS21 Hub Spanner (15 mm x 23 mm)	A
20	Y13098900	TL-7S20 Hub Spanner (17 mm x 22 mm) 2 pcs.	A
21	Y13098000	TL-FC36 for Lock Ring Removal Tool	A

A: Same parts.

B: Parts are usable, but differ in materials, appearance, finish, size, etc.

Absence of mark indicates non-interchangeability.

Jun.-2015-3375A

© Shimano Inc. I

Specifications are subject to change without notice.

SHIMANO