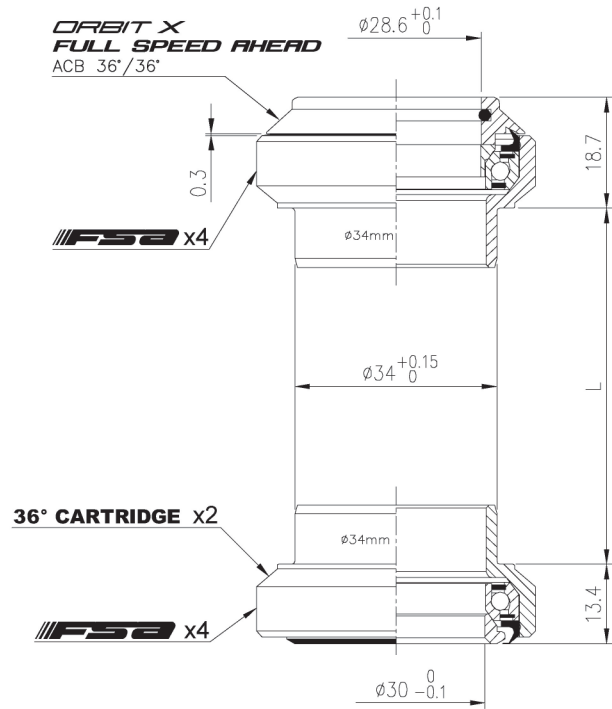
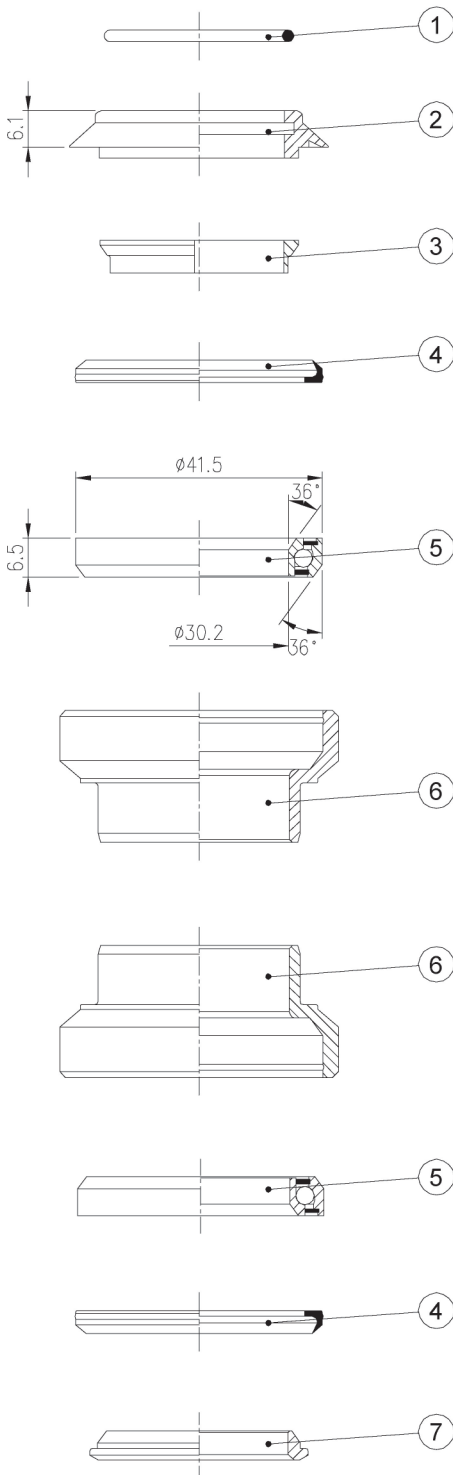


Threadless Headset

Orbit MX

NO.20

1-1/8", 36°/36° ACB



Stack Height 18.7+13.4=32.1



- 1-1/8" steerer
- Alloy top cover
- Forged and CNC machined 6061/T6 alloy cups
- Angular Contact Bearings (Black seal)

No	Item No	Material	Qty
⑦	H6033	Alloy	1PCS
⑥	H4023 {NO.20-4-5}	Alloy	2PCS
⑤	MR049 {872-2RS}	Chrome Steel	2SETS
④	MS090 {Orbit-X}	Steel w/ rubber sealed	2PCS
③	H2048 {WCS-1-1/8"-2}	Alloy	1PCS
②	H2069 {SP-4-2}	Alloy	1PCS
①	MS053 {872}	Rubber	1PCS

