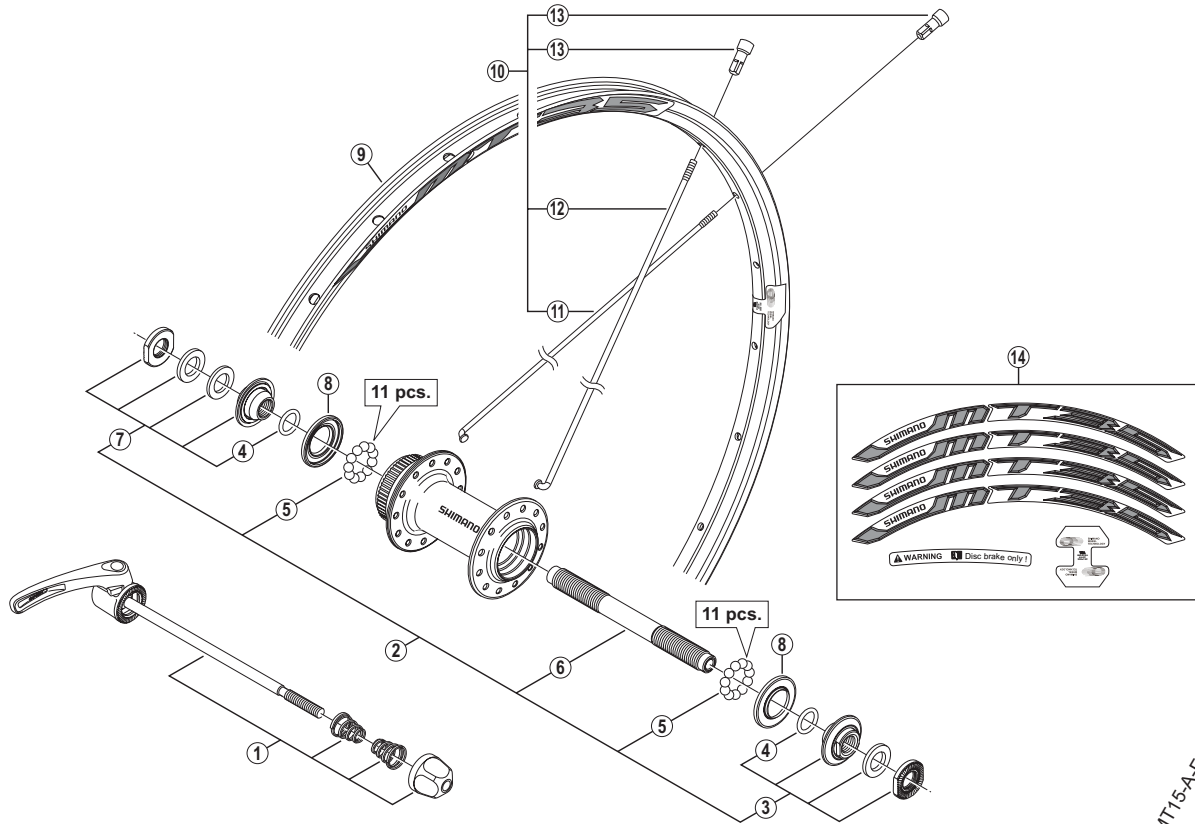


# Front Wheel

## WH-MT35-F Black / White



• Over Lock Nut Dimension: 100 mm (3-15/16")

WH-MT15-A-F  
HB-M595  
WH-MT55

ITEM NO.	SHIMANO CODE NO.	DESCRIPTION	INTERCHANGEABILITY
1	Y4D298060	Complete Quick Release 133 mm (5-1/4")	B B
2	Y2TS98010	Complete Hub Axle 108 mm (4-1/4")	A
3	Y2TS98020	Right Hand Lock Nut Unit	A A
4	Y2T804000	O-Ring	A A A
5	Y4BB98030	Steel Ball (3/16") 22 pcs.	A A
6	Y21S02000	Hub Axle M10 x 108 mm (4-1/4")	A A
7	Y2TS98030	Left Hand Lock Nut Unit	A
8	Y2TA06000	Seal Ring	A A
9	EWHRIM3QFDBC	Black Rim {24H / Rim Sticker: Standard}	B
	EWHRIM3QFDWC	White Rim {24H / Rim Sticker: Standard}	B
10	EWHSPOKE3PA1	Spoke Unit {Spoke (264 mm x 12 pcs. & 265 mm x 12 pcs.) / Nipple (24 pcs.)}	
11	Y41XS1000	Left Hand Spoke (264 mm)	
12	Y41XS2000	Right Hand Spoke (265 mm)	
13	Y012Z4075	Nipple	A
14	Y41X98010	Rim Sticker Unit (Standard) for Black Rim	
	Y41X98020	Rim Sticker Unit (Monotone) for Black Rim	
	Y41X98030	Rim Sticker Unit (Blue) for Black Rim	
	Y41X98040	Rim Sticker Unit (Orange) for Black Rim	
	Y41X98050	Rim Sticker Unit (Red) for Black Rim	
	Y41X98060	Rim Sticker Unit (Grey) for Black Rim	
	Y41X98070	Rim Sticker Unit (Standard) for White Rim	
	Y41X98080	Rim Sticker Unit (Monotone) for White Rim	
	Y41X98090	Rim Sticker Unit (Blue) for White Rim	
	Y41X98100	Rim Sticker Unit (Orange) for White Rim	
	Y41X98110	Rim Sticker Unit (Red) for White Rim	
	Y41X98120	Rim Sticker Unit (Grey) for White Rim	

A: Same parts.

B: Parts are usable, but differ in materials, appearance, finish, size, etc.

Absence of mark indicates non-interchangeability.

Jul.-2013-3565

© Shimano Inc. I

Specifications are subject to change without notice.

# SHIMANO